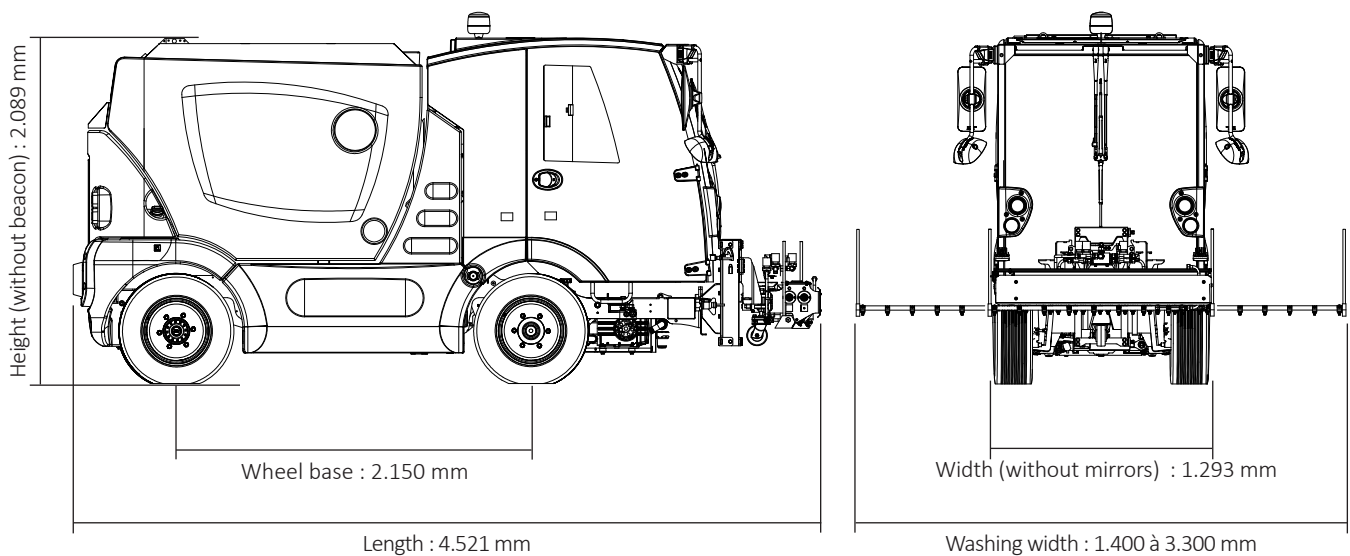


Type AQUADYNE MC 210
Subject Données techniques et de performances

Date 20.09.2016
Version MC210-AQD-2016-000
Number of pages 2

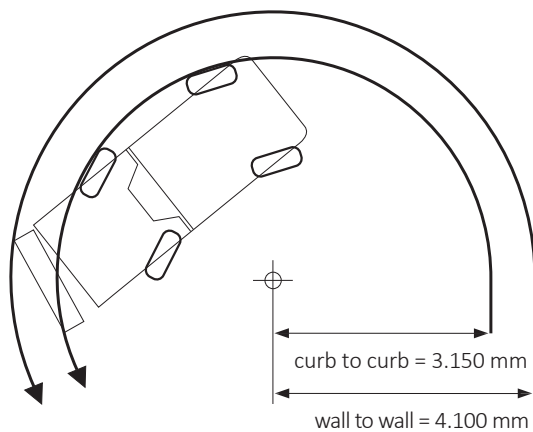
General characteristics

1.1. Dimensions



1.2. Steering

2 or 4 wheels steer with automatic realignment of rear axle in transit.
 Turning radius in wheels steer



1.5. Brakes

Front Disc brakes with dual braking system
 Rear Hydraulic brakes + drum brakes (optional)

1.7. Suspensions

Front and rear Leaf springs

1.3. Weight

Tare weight (without option)(kg)	3.100
GVW (kg)	5.000
Maximum weight on front axle (kg)	2.500
Maximum weight on rear axle (kg)	2.500

1.4. Speeds

Transit mode speed (kph)	25 - 50
Work speed (kph)	0 - 15
Engine speed in work mode(kph)	1.400 - 1.700
Gradeability (%)	upto 28 %

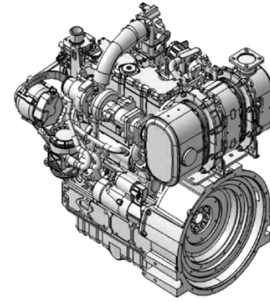
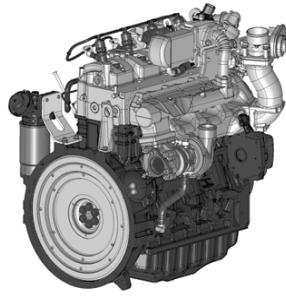
1.6. Tyres

Front	225/65 R16 C
Rear	225/65 R16 C

1.8. Capacities

Fuel tank (liter)	70
-------------------	----

02_ Engines



Make	VM R754 EU6 Common rail	KUBOTA V3800-CR-T-E4B
Engine type	EURO 6	TIER IV / Stage IIIB
After-treatment	Exhaust line with catalyst (DOC) and particle filter (DPF) + Selective Catalytic Reduction system (SCR) with AdBlue injection (14 liter tank)	Exhaust system with catalyst (DOC) and particle filter (DPF)
Cubic capacity (cm ³)	2.970	3.800
Number of cylinders	4	4
Maximum power	62 kW @ 2.300 rpm (83 BHP)	55,4 kW @ 2.200 rpm (74 BHP)
Maximum torque	270 Nm @ 1.350 rpm	310 Nm @ 1.500 rpm

03_ Work performances

3.1. Water pumps

Medium pressure water pump (standard)	108 L/min- 60 Bar + MITRA hand lance and 5 m. hose
High pressure water pump (option)	20 L/min- 150 Bar + HP hand lance and 5 m. hose

3.2. Water tank

Material	4016 stainless steel
Capacity (liter)	1.900

3.3. Washing spray bar (options)

1 fixed spray bar and 2 side jets

Work width (mm)	1.400
Spray bar control from the cab	Joystick + Keypads
Spray bar orientation	Right / Left, hydraulically adjustable
Spray bar lift	Height hydraulically adjustable
Wheel for ground support	1

1 fixed spray bar and 2 telescopic lateral bars + 2 side jets

Work width (mm)	1.400 - 3.300
Spray bar control from the cab	Joystick + Keypads
Spray bar extension	Independant left/right control, hydraulically adjustable
Spray bar orientation	Right / Left, hydraulically adjustable
Spray bar lift	Height hydraulically adjustable
Wheel for ground support	1

3.4. Washing booms (options)

360° boom with 15 m. automatic reel linked to MP with MITRA hand lance

360° boom with 15 m. automatic reel linked to HP with MITRA hand lance

04_ Environmental performances

4.1. Consumptions

Mixte consumption (liter/h)	5,0 (EU6) - 5,5 (T4)
-----------------------------	----------------------

4.3. Sound emissions

Acoustic power outside LWA (dB A)	103 (EU6) - 104 (T4)
-----------------------------------	----------------------

4.4. Vibrations

Entire body (seat) (a_{wzs})	don't exceed 0,5 m/s ²
Upper limbs (steering wheel) (a_{hv})	don't exceed 2,5 m/s ²